



Genuine Parts

INSTALLATION INSTRUCTIONS

DESCRIPTION: CARGO NET

APPLICATION: QUEST (2011)

PART NUMBER: 999C1 NX000

KIT CONTENTS:

Item	Qty	Description
A	1	CARGO NET
B	1	INSTALLATION INSTRUCTION

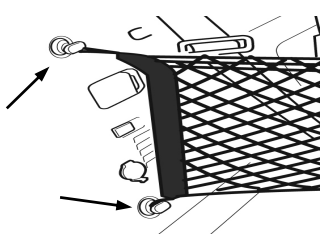
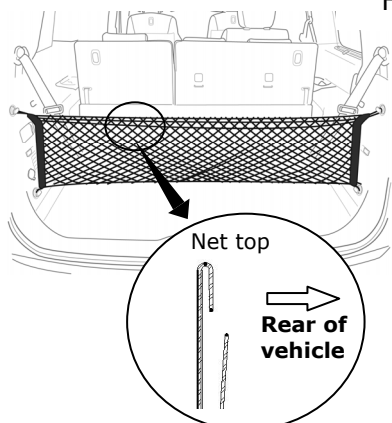
TOOLS REQUIRED:

None

INSTALLATION PRECAUTIONS / NOTES:

1. Ensure that net is securely attached so cargo does not fall out during transit.
2. Keep this installation instruction sheet with Vehicle Owner's Manual for future reference.
3. Max load not to exceed 30 lbs.

INSTALLATION

 <p>Fig. 7.1</p>	<ol style="list-style-type: none">1) Locate the T-hooks (4) in the cargo area of the vehicle.2) Attach the cargo net loops ends to the T-hooks on the driver side of the cargo area. (Fig. 7.1)3) Attach the cargo net loop ends on the other side of the net to the T-hooks on the passenger side of the cargo area. Make sure the opening on the top of the net is facing rear of the vehicle. (Fig. 7.2)
 <p>Fig. 7.2</p>	